



DT 290

DT 280 DT 290

HEADSETS WITH DYNAMIC MICROPHONE

Version		Order #
DT 280	Single-ear headphone	442.852
DT 280 V.11	as above, w/ pre-amp for mic	442.860
DT 290	Headset, standard version	442.917
DT 290 V.11	as above, w/ preamp for mic	442.925

APPLICATIONS

The lightweight, closed headsets DT 280 and DT 290 suit ideally for announcement or command purposes at broadcasting.

The headphone is featuring an efficient neodymium magnet system, a very high reproduction precision and a balanced sound. Another special feature is the wide transmission range of 10 - 30,000 Hz. The headsets come with 80 Ω -systems.

The soft circumaural earcups and the fully adjustable padded headband offer a high wearing comfort. The dynamic microphone can be optimally positioned with the flexible gooseneck. The hypercardioid polar pattern guarantees an extremely high-gain-before feedback and noise cancellation. If necessary the assembly of the microphone holder can be changed so that the microphone can be worn on the left or right side. (In the factory it is assembled on the left side). The cables to the earcups and the microphone run safely in the headband. The connecting cable is single-sided, plug-in type with a golden combi 1/4"/mini jack plug. All parts such as earpads, headband and gooseneck microphone are easy to replace.

TECHNICAL SPECIFICATIONS

Headphone

Transducer principle	Dynamic
Operating principle	Closed
Transmission range	10 - 30, 000 Hz
Nominal impedance	80 Ω
Nominal sound pressure level	
at 1 kHz	100 dB SPL at 1 mW = 0.28 V to 80 Ω
T.H.D.	< 2%
Nominal power rating	100 mW = 120 dB = 2.8 V to 80 Ω
Ambient noise insulation	approx. 16 dBA
Average pressure on ears	4.5 N
Weight without cable	approx. 168 g (DT 280), approx. 240 g (DT 290)
Cable length	1.5 m

Microphone

	DT 280/290	DT 280 V.11/290 V.11
Transducer principle	Dynamic	Dynamic
Transmission range	40 - 12, 000 Hz	40 - 12, 000 Hz
Polar pattern	Hypercardioid	Hypercardioid
Output voltage		
at a distance of 5 cm	approx. 3 mV	approx. 1.5 V
Nominal impedance	200 Ω	200 Ω
Nominal output impedance	> 1000 Ω	-
Current consumption	-	8 - 56 mA

Germany

Theresienstr. 8
74072 Heilbronn
Tel. (071 31) 617-0
Fax (071 31) 617-224
E-mail: info@beyerdynamic.de
Internet: www.beyerdynamic.de

United States

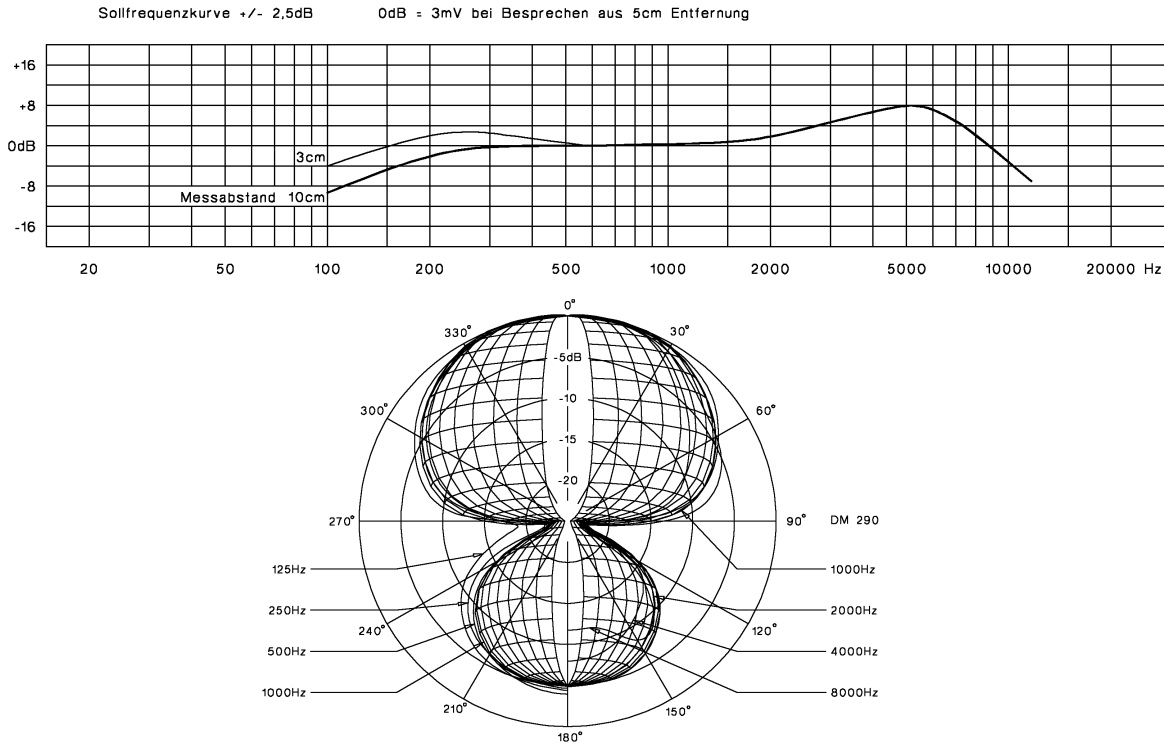
56 Central Ave.
Farmingdale, NY 11735
Tel. (631) 293-3200
Fax (631) 293-3288
E-mail: salesUSA@beyerdynamic.com
Internet: www.beyerdynamic.de

Great Britain

17 Albert Drive
Burgess Hill RH15 9TN
Tel. (01444) 258 258
Fax (01444) 258 444
E-mail: sales@beyerdynamic.co.uk
Internet: www.beyerdynamic.de

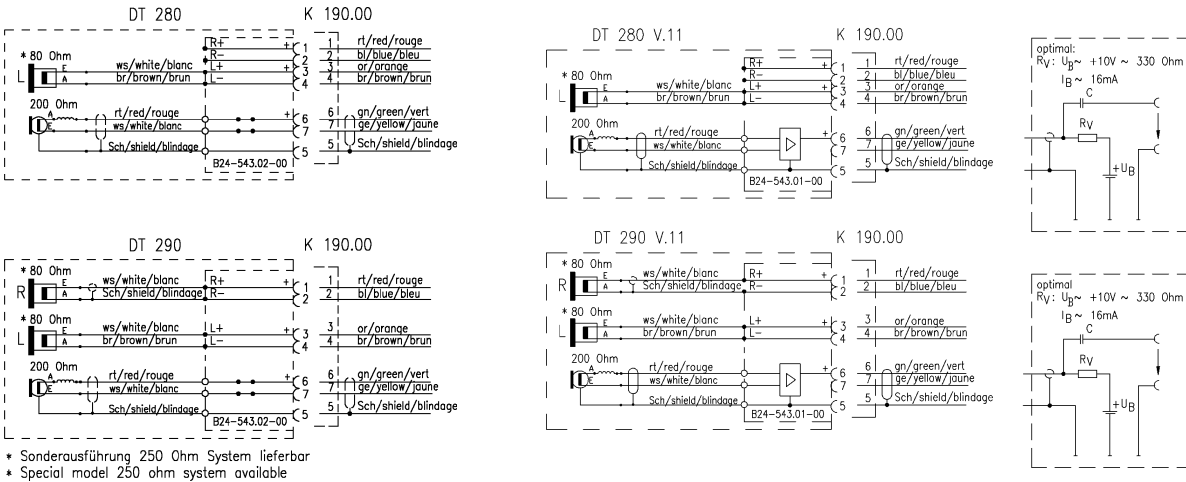
FREQUENCY RESPONSE & POLAR PATTERN

This polar pattern and frequency response curve (measuring tolerance ± 2.5 dB) correspond to typical machine run specifications for this microphone.



WIRING DIAGRAMS

Positive pressure produces positive voltage on connection 6 of the headphone socket.



SUPPLIED ACCESSORIES

- K 190.00 Bare-ended straight connecting cable, 1.5 m long Order # 431.575

OPTIONAL ACCESSORIES

- Ear cushions pair Order # 442.704
- Ear cushions pair made of Softskin Order # 443.549
- K 190.00 Bare-ended straight connecting cable, 3 m long Order # 441.937
- K 190.40 Straight cable with 1/4" jack/3-pin XLR-plug Order # 445.894

Photos are non contractual. Contents subject to change without notice. Printed in Germany