



DT 108

HEADSET WITH DYNAMIC MICROPHONE

beyerdynamic

FEATURES

- Highly sensitive headphone and microphone transducers
- Excellent ambient noise attenuation
- Capable of handling very high SPL
- Rugged construction
- Excellent comfort for long-term wearing
- Modular construction for easy servicing

APPLICATIONS

The DT 108 single-muff headset is designed for live, remote broadcasting, for studio, film and TV-applications.

One side is open to monitor ambient sound. The protective ear cap attenuates up to 20 dB of ambient noise. The headset features a noise cancelling microphone.

Available in different impedances.

TECHNICAL SPECIFICATIONS

Headphone

Transducer type	Dynamic
Operating principle	Closed
Frequency response	30 - 20,000 Hz
Nominal impedance	400 Ω \pm 10% per cartridge*
Nominal SPL at 1 kHz	94 dB
T.H.D.	< 1%
Power handling capacity	1000 mW $\hat{=}$ 124 dB
Ambient noise attenuation	approx. 20 dBA
Sound coupling to the ear	Circumaural
Headband pressure	approx. 4.5 N
Weight (without cable)	283 g

Microphone

Transducer type	Dynamic
Operating principle	Pressure gradient
Frequency response	40 - 12,000 Hz
Polar pattern	Hypercardioid
Output voltage	approx. 2.5 mV at a distance of 5 cm
Nominal impedance	200 Ω
Load impedance	\geq 1000 Ω

*more impedances available

Germany

Theresienstr. 8
74072 Heilbronn
Tel. (07131) 617-0
Fax (07131) 60459
info@beyerdynamic.de
www.beyerdynamic.de

United States

56 Central Ave.
Farmingdale, NY 11735
Tel. (516) 293-3200
Fax (516) 293-3288
salesUSA@beyerdynamic.com
www.beyerdynamic.com

Great Britain

17 Albert Drive
Burgess Hill RH15 9TN
Tel. (01444) 258 258
Fax (01444) 258 444
sales@beyerdynamic.co.uk
www.beyerdynamic.com

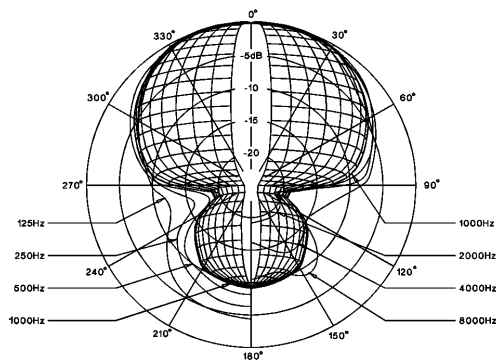
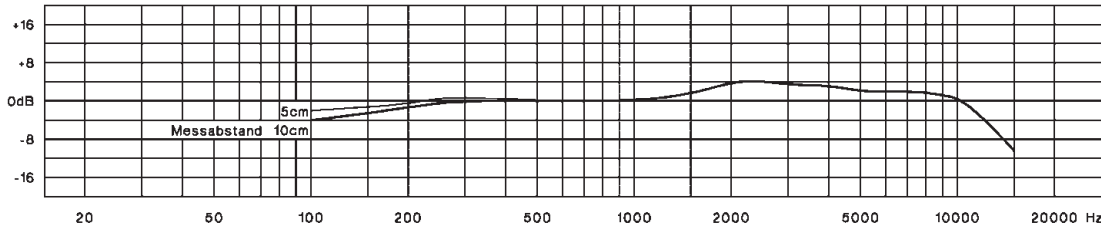
France

7, Rue Labie
F-75017 Paris
Tél. 0144.09.93.93
Fax 0144.09.82.33
beyer_france@compuserve.com
www.beyerdynamic.com

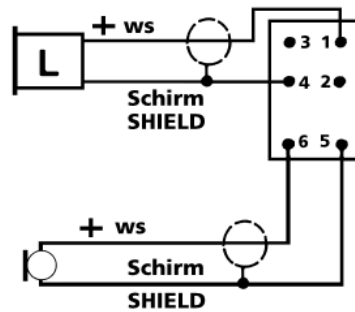
FREQUENCY RESPONSE & POLAR PATTERN

This frequency response curve (measuring tolerance ± 2.5 dB) and polar pattern correspond to a typical production sample for this microphone.

Sollfrequenzkurve +/- 2,5dB 0dB = 2,5mV bei Besprechen aus 5cm Entfernung



WIRING DIAGRAM



VERSIONS

Model	Description	Order #
• DT 108	Single-ear-headset, 200/50 Ω , grey, without cable K 109.....	131.342
• DT 108	Single-ear-headset, 200/ 50 Ω , black, without cable K 109.....	402.958
• DT 108	Single-ear-headset, 200/400 Ω , grey, without cable K 109.....	101.702
• DT 108	Single-ear-headset, 200/400 Ω , black, without cable K 109....	402.966
• DT 108	Single-ear-headset, 200/50 Ω , grey, with bare-ended K 109.00 cable	421.669
• DT 108	Single-ear-headset, 200/ 50 Ω , black, with bare-ended K 109.00 cable	421.677
• DT 108	Single-ear-headset, 200/400 Ω , grey, with bare-ended K 109.00 cable	421.057
• DT 108	Single-ear-headset, 200/400 Ω , black, with bare-ended K 109.00 cable.....	421.790

OPTIONAL ACCESSORIES

Model	Description	Order #
• K 109.00	Straight bare-ended cable, 1.5 m long	101.907
• K 109.40	Straight bare-ended cable, 1.5 m long, with 3-pin XLR-plug and 1/4" jack.....	449.121

SPARE PARTS

Model	Description	Order #
• DT 100-Serie	Earpad, circumaural	407.003
• BN 59-18/A	Headband pad	108.715