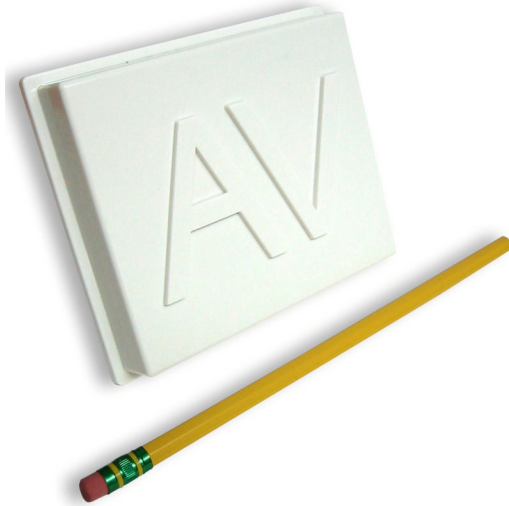


**AVALON RF**  **Wireless Solutions**  
**For Audio & Video Links**



# **AX610CP**

**2.35GHz-2.5GHz 10dbi RHCP**

# **Antenna**

**User's Manual**

**AV030522/1-000**  
**REV. A - 27 May 2003**

Prepared by Steve Jones  
Edited by Eli Weinstein

Available Through CP Communications - [www.cpcomms.com](http://www.cpcomms.com)

## 1. General.

The AX610CP is a 2.4GHz right hand circular polarized antenna with a gain of 10dbi for demanding indoor or outdoor applications.

## 2. Specifications

### 2.1 Electrical

- |                                 |                    |
|---------------------------------|--------------------|
| a) Gain:                        | 10dbi              |
| b) Horizontal radiation pattern | See Figure A below |
| c) Return loss                  | See Figure B below |
| d) Input connector              | N-Female           |
| e) Input impedance              | 50 OHM             |
| f) Maximum power                | 25W                |

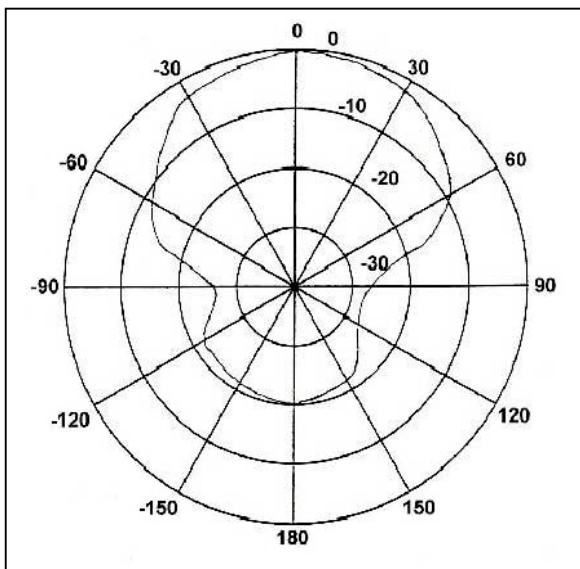


Figure A – H Radiation Pattern

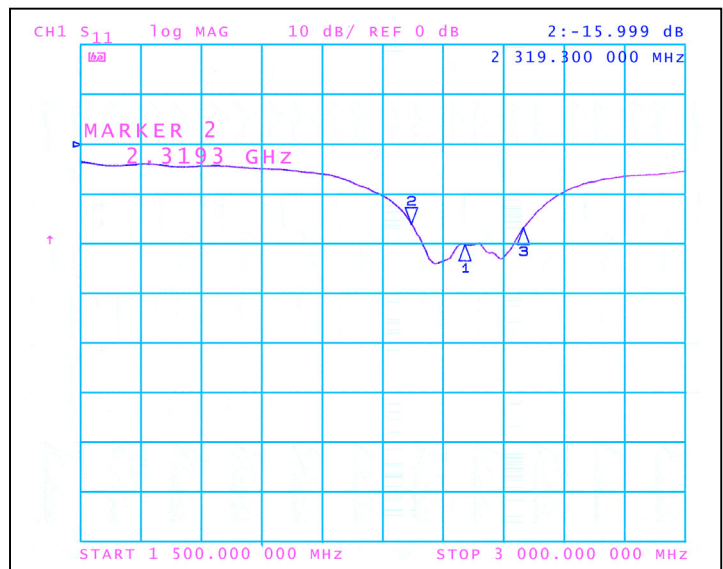
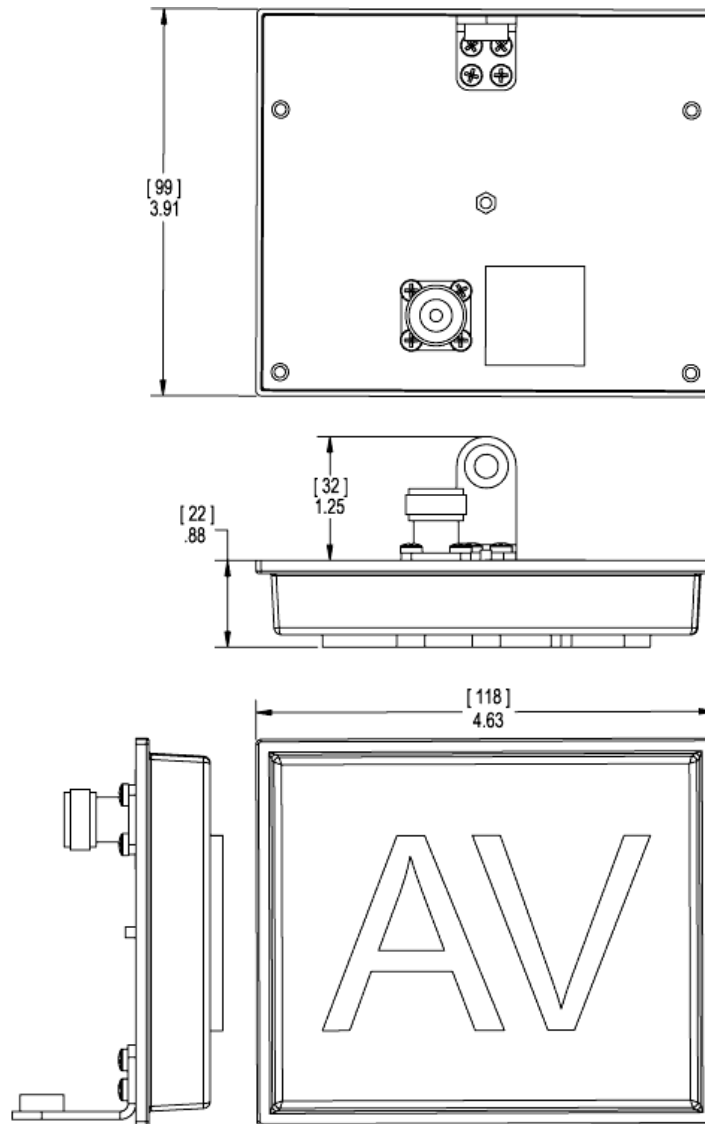


Figure B – S11 Return Loss

## 2.2 Mechanical

- a) Size 4.63" x 3.91" x 0.88" (see Figure C)  
118mm x 99mm x 22mm
- b) Weight <6 oz.  
<150 gram
- c) Shipping weight <16 oz.  
<456 gram



**Figure C – AX610CP Mechanical Drawings**

## 2.3 Environmental Conditions.

The AX610CP Series is designed to meet the following environmental conditions:

- |                             |   |
|-----------------------------|---|
| 2.3.1 Operating temperature | -2° to 122° F<br>-55° to 85° C                          |
| 2.3.2 Storage temperature   | -13° to 150° F<br>-55° to 90° C                         |
| 2.3.3 Vibration             | 1.5G, from 10Hz to 2KHz, sine wave, 3 axis              |
| 2.3.4 Shock                 | 15G, 25msec, half sine wave, three axis                 |
| 2.3.5 Humidity              | 5 to 95%, non-condensing                                |
| 2.3.6 Inclination           | Any   |
| 2.3.7 Altitude              | -1500 feet to 70,000 feet<br>-450 meter to 4,500 meters |

### 3. **Ordering Information.**

AX610CP 2.35GHz-2.5GHz RHCP antenna

#### 3.1 Standard Accessories

None

#### 3.2 Optional features

Option LH - LHCP

